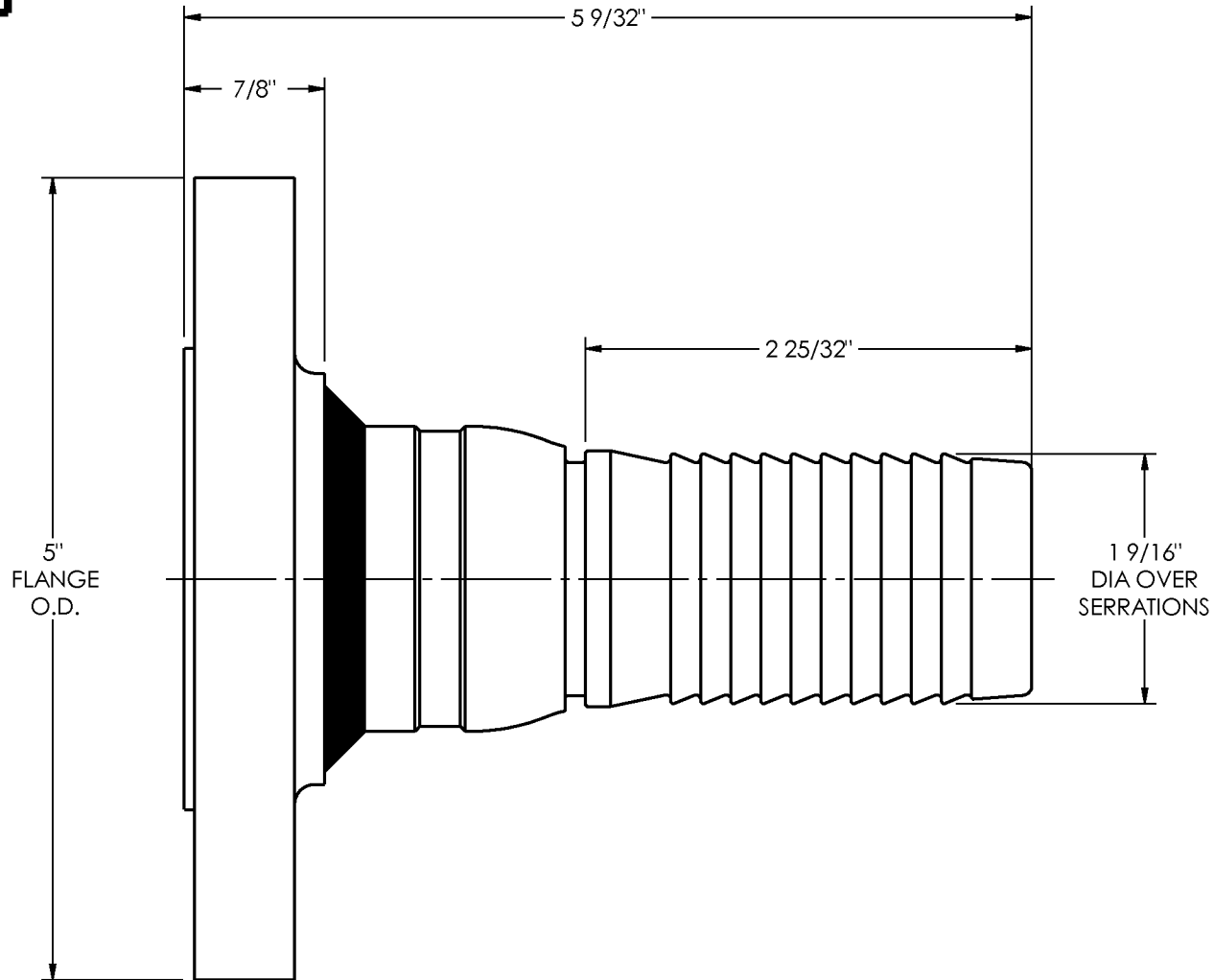


FST20CS

CUSTOMER DWG



CUSTOMER DWG



AGREEMENT TO MAINTAIN CONFIDENTIALITY

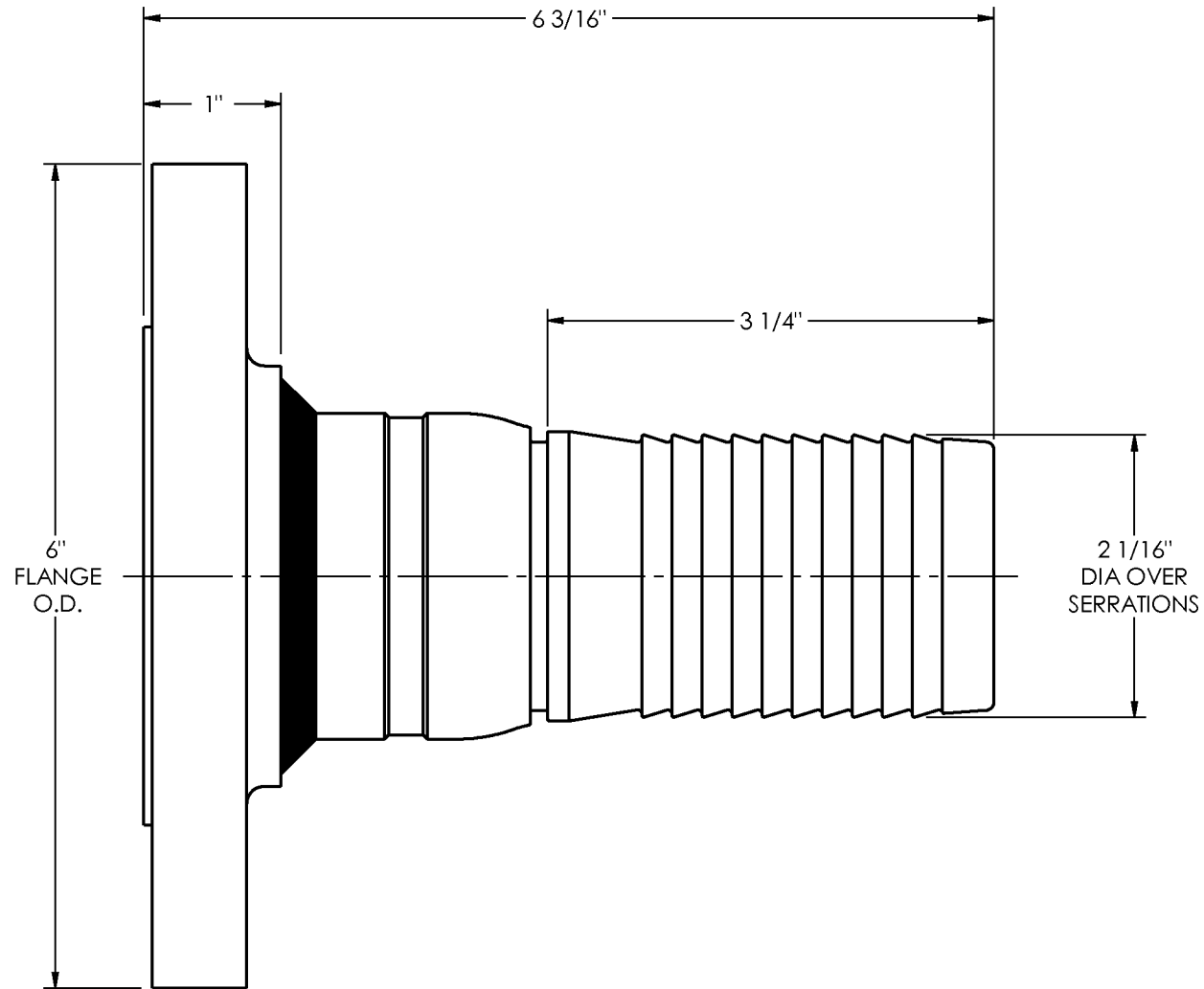
This drawing is owned by Dixon Valve & Coupling Co. and shall be returned upon demand. It is loaned on condition that it shall not be copied or reproduced or submitted to others without the owners consent. In accepting it subject to this condition the recipient further agrees that this drawing or any design detail or concept disclosed herein shall not be used in any way detrimental to or in competition with the owner. If the recipient does not agree to the terms of this agreement they shall return this drawing immediately. The information contained in this drawing is subject to change without notice.

REV: A

DIXON VALVE & COUPLING CO. U. S. A.		
TITLE		1 1/2' FLANGED CRIMP STYLE KING COMBINATION NIPPLE
DRWN BY:	CHECKED BY:	APPROVAL:
TDJ 9/26/11	<i>SE</i> 9-10-12	<i>SE</i> 9-10-12
MAT'L:		FST20CS
CARBON STEEL		

FST25CS

CUSTOMER DWG



CUSTOMER DWG

AGREEMENT TO MAINTAIN CONFIDENTIALITY

This drawing is owned by Dixon Valve & Coupling Co. and shall be returned upon demand. It is loaned on condition that it shall not be copied or reproduced or submitted to others without the owners consent. In accepting it subject to this condition the recipient further agrees that this drawing or any design detail or concept disclosed herein shall not be used in any way detrimental to or in competition with the owner. If the recipient does not agree to the terms of this agreement they shall return this drawing immediately. The information contained in this drawing is subject to change without notice.

REV: A



DIXON VALVE & COUPLING CO. U. S. A.

TITLE
2" FLANGED CRIMP STYLE
KING COMBINATION NIPPLE

DRWN BY:
TDJ
9/26/11

CHECKED BY:
SE
9-10-12

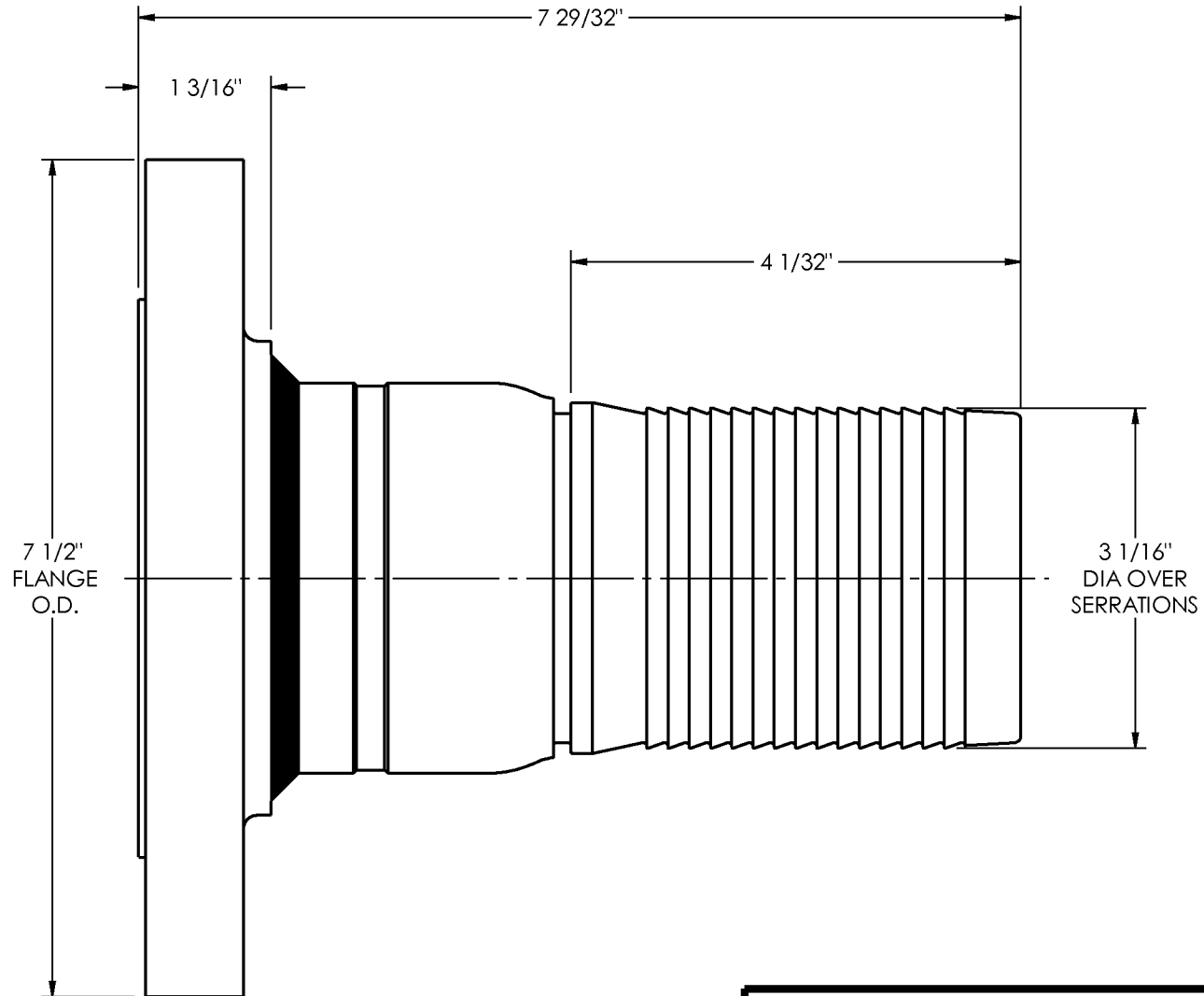
APPROVAL:
SE
9-10-12

MAT'L:
CARBON STEEL

FST25CS

FST35CS

CUSTOMER DWG



CUSTOMER DWG



AGREEMENT TO MAINTAIN CONFIDENTIALITY

This drawing is owned by Dixon Valve & Coupling Co. and shall be returned upon demand. It is loaned on condition that it shall not be copied or reproduced or submitted to others without the owners consent. In accepting it subject to this condition the recipient further agrees that this drawing or any design detail or concept disclosed herein shall not be used in any way detrimental to or in competition with the owner. If the recipient does not agree to the terms of this agreement they shall return this drawing immediately. The information contained in this drawing is subject to change without notice.

REV: A

DIXON VALVE & COUPLING CO. U. S. A.

TITLE
3" FLANGED CRIMP STYLE
KING COMBINATION NIPPLE

DRWN BY:
TDJ
9/26/11

CHECKED BY:
SE
9-10-12

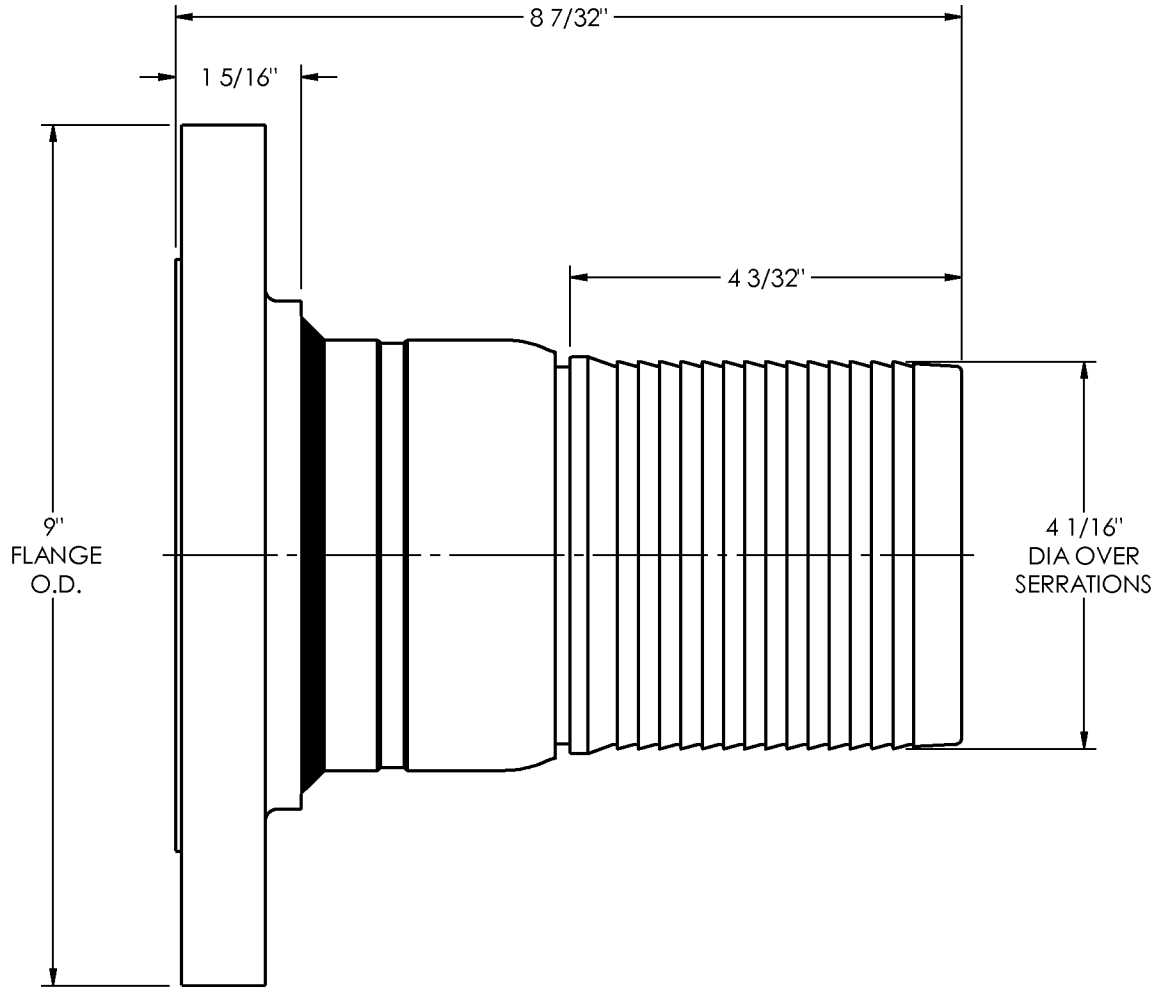
APPROVAL:
SE
9-10-12

MAT'L:
CARBON STEEL

FST35CS

FST40CS

CUSTOMER DWG



CUSTOMER DWG



AGREEMENT TO MAINTAIN CONFIDENTIALITY

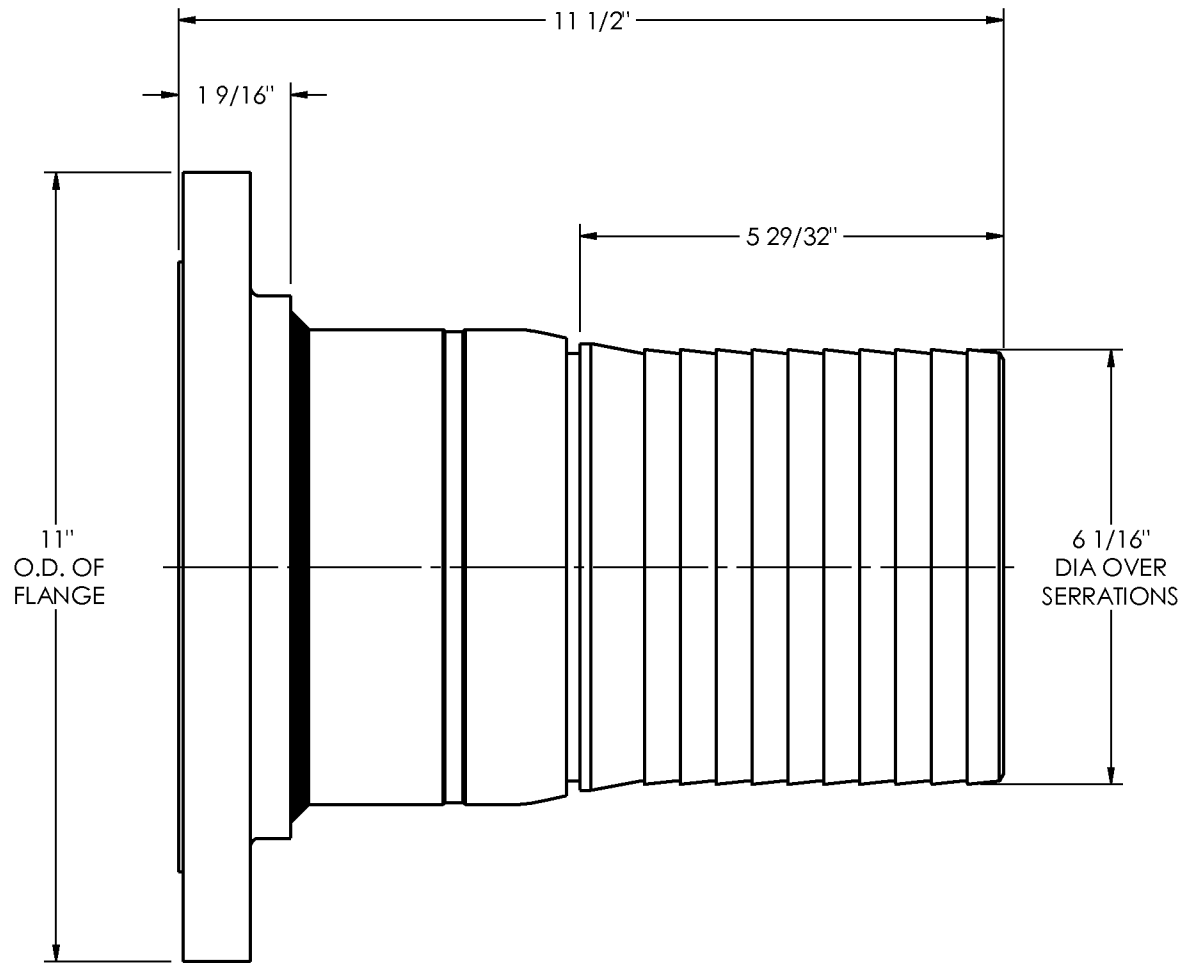
This drawing is owned by Dixon Valve & Coupling Co. and shall be returned upon demand. It is loaned on condition that it shall not be copied or reproduced or submitted to others without the owners consent. In accepting it subject to this condition the recipient further agrees that this drawing or any design detail or concept disclosed herein shall not be used in any way detrimental to or in competition with the owner. If the recipient does not agree to the terms of this agreement they shall return this drawing immediately. The information contained in this drawing is subject to change without notice.

REV: A

DIXON VALVE & COUPLING CO. U. S. A.		
TITLE 4" FLANGED CRIMP STYLE KING COMBINATION NIPPLE		
DRWN BY: TDJ 9/26/11	CHECKED BY: SE 9-10-12	APPROVAL: SE 9-10-12
MAT'L: CARBON STEEL		FST40CS

FST60CS

CUSTOMER DWG



CUSTOMER DWG



AGREEMENT TO MAINTAIN CONFIDENTIALITY

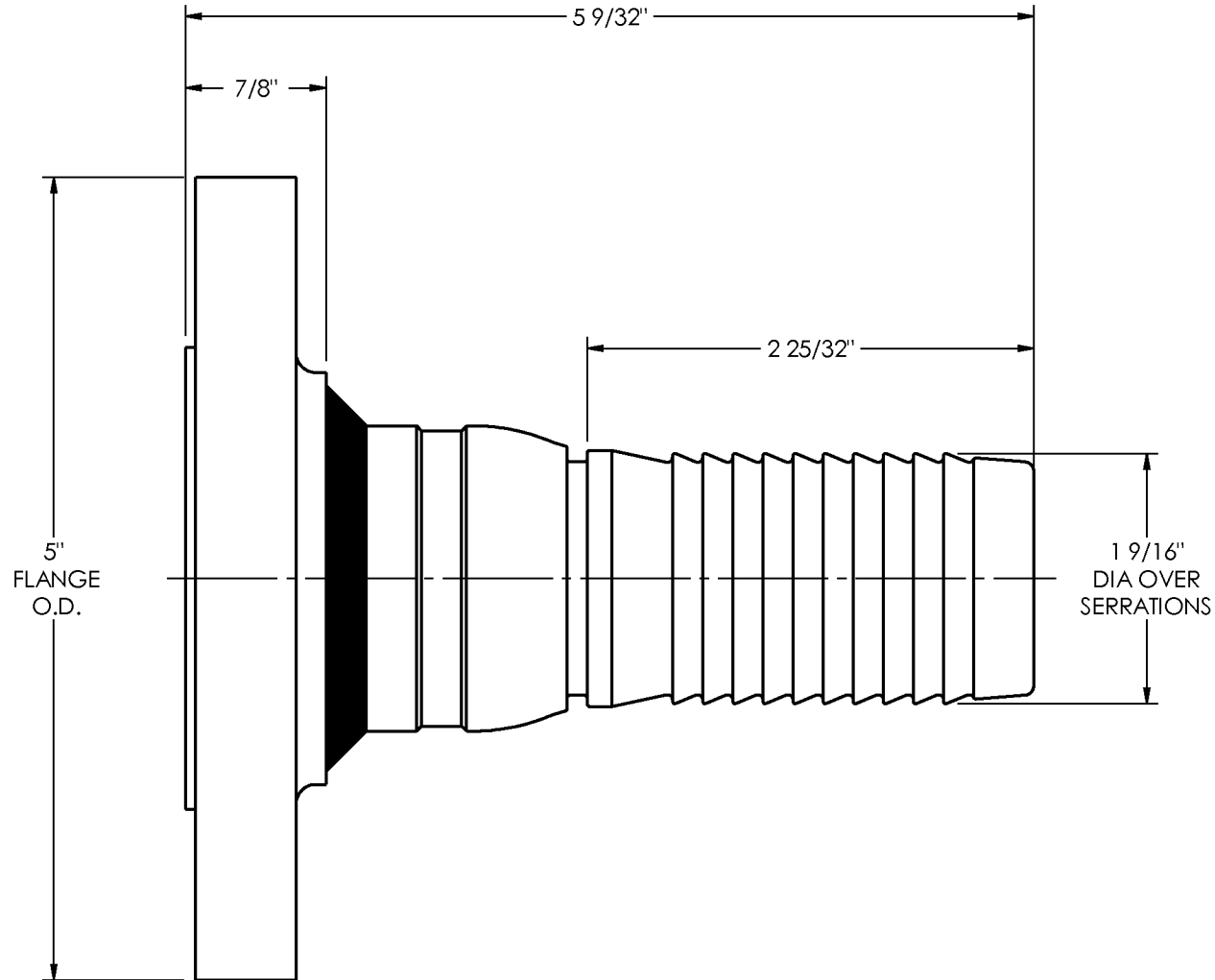
This drawing is owned by Dixon Valve & Coupling Co. and shall be returned upon demand. It is loaned on condition that it shall not be copied or reproduced or submitted to others without the owners consent. In accepting it subject to this condition the recipient further agrees that this drawing or any design detail or concept disclosed herein shall not be used in any way detrimental to or in competition with the owner. If the recipient does not agree to the terms of this agreement they shall return this drawing immediately. The information contained in this drawing is subject to change without notice.

REV: A

DIXON VALVE & COUPLING CO. U. S. A.		
TITLE 6" FLANGED CRIMP STYLE KING COMBINATION NIPPLE		
DRWN BY: TDJ 9/27/11	CHECKED BY: <i>SE</i> 9-10-12	APPROVAL: <i>SE</i> 9-10-12
MAT'L: CARBON STEEL		FST60CS

RFST20CS

CUSTOMER DWG



CUSTOMER DWG



AGREEMENT TO MAINTAIN CONFIDENTIALITY

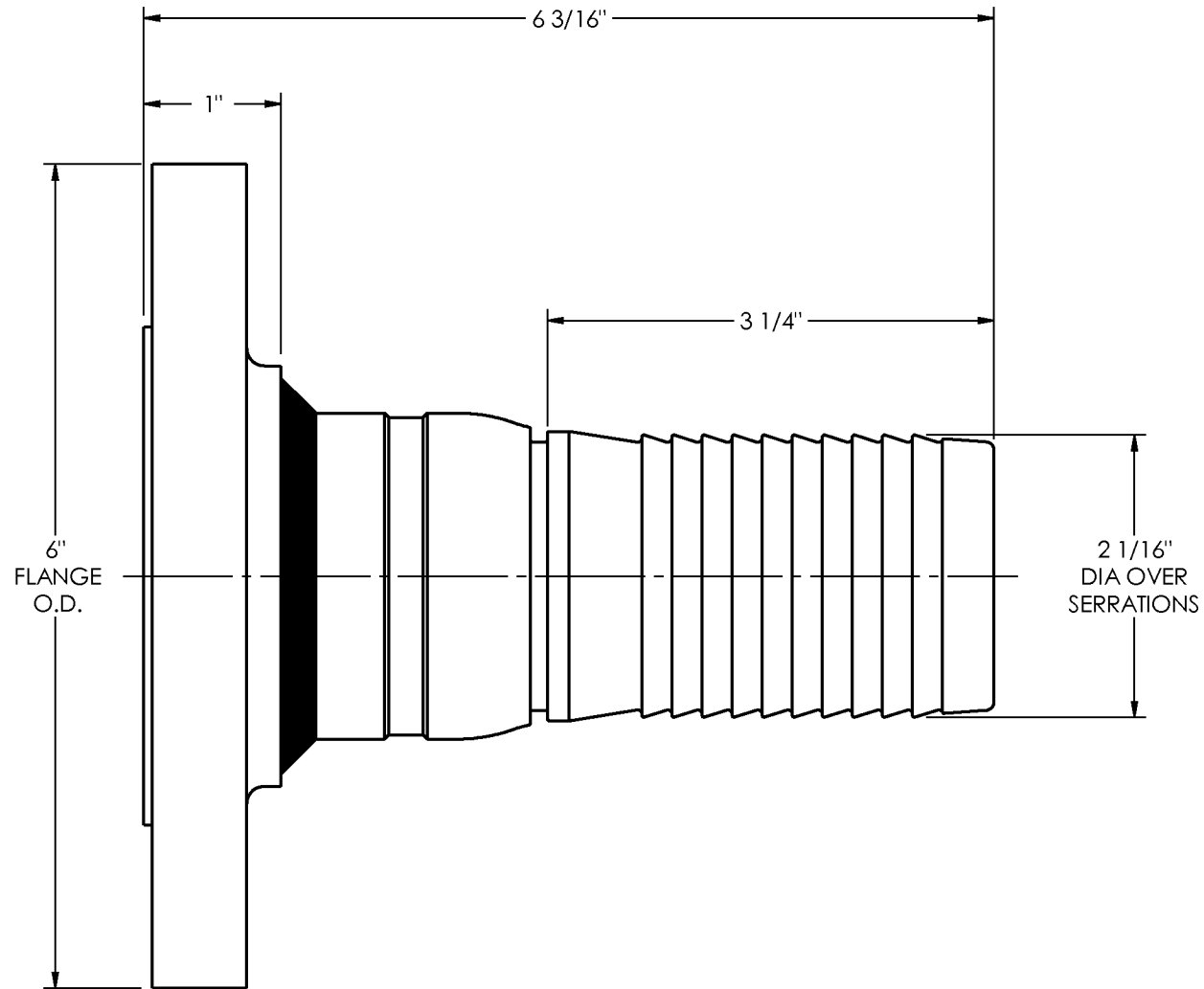
This drawing is owned by Dixon Valve & Coupling Co. and shall be returned upon demand. It is loaned on condition that it shall not be copied or reproduced or submitted to others without the owners consent. In accepting it subject to this condition the recipient further agrees that this drawing or any design detail or concept disclosed herein shall not be used in any way detrimental to or in competition with the owner. If the recipient does not agree to the terms of this agreement they shall return this drawing immediately. The information contained in this drawing is subject to change without notice.

REV:

DIXON VALVE & COUPLING CO. U. S. A.		
TITLE 1 1/2' FLANGED CRIMP STYLE KING COMBINATION NIPPLE		
DRWN BY: TDJ 10/14/11	CHECKED BY: <i>SE</i> 10-17-11	APPROVAL: <i>SE</i> 10-18-11
MAT'L: STAINLESS STEEL		RFST20CS

RFST25CS

CUSTOMER DWG



CUSTOMER DWG

AGREEMENT TO MAINTAIN CONFIDENTIALITY

This drawing is owned by Dixon Valve & Coupling Co. and shall be returned upon demand. It is loaned on condition that it shall not be copied or reproduced or submitted to others without the owners consent. In accepting it subject to this condition the recipient further agrees that this drawing or any design detail or concept disclosed herein shall not be used in any way detrimental to or in competition with the owner. If the recipient does not agree to the terms of this agreement they shall return this drawing immediately. The information contained in this drawing is subject to change without notice.

REV:



DIXON VALVE & COUPLING CO. U. S. A.

TITLE
2" FLANGED CRIMP STYLE
KING COMBINATION NIPPLE

DRWN BY:
TDJ
10/14/11

CHECKED BY:
SE
10-17-11

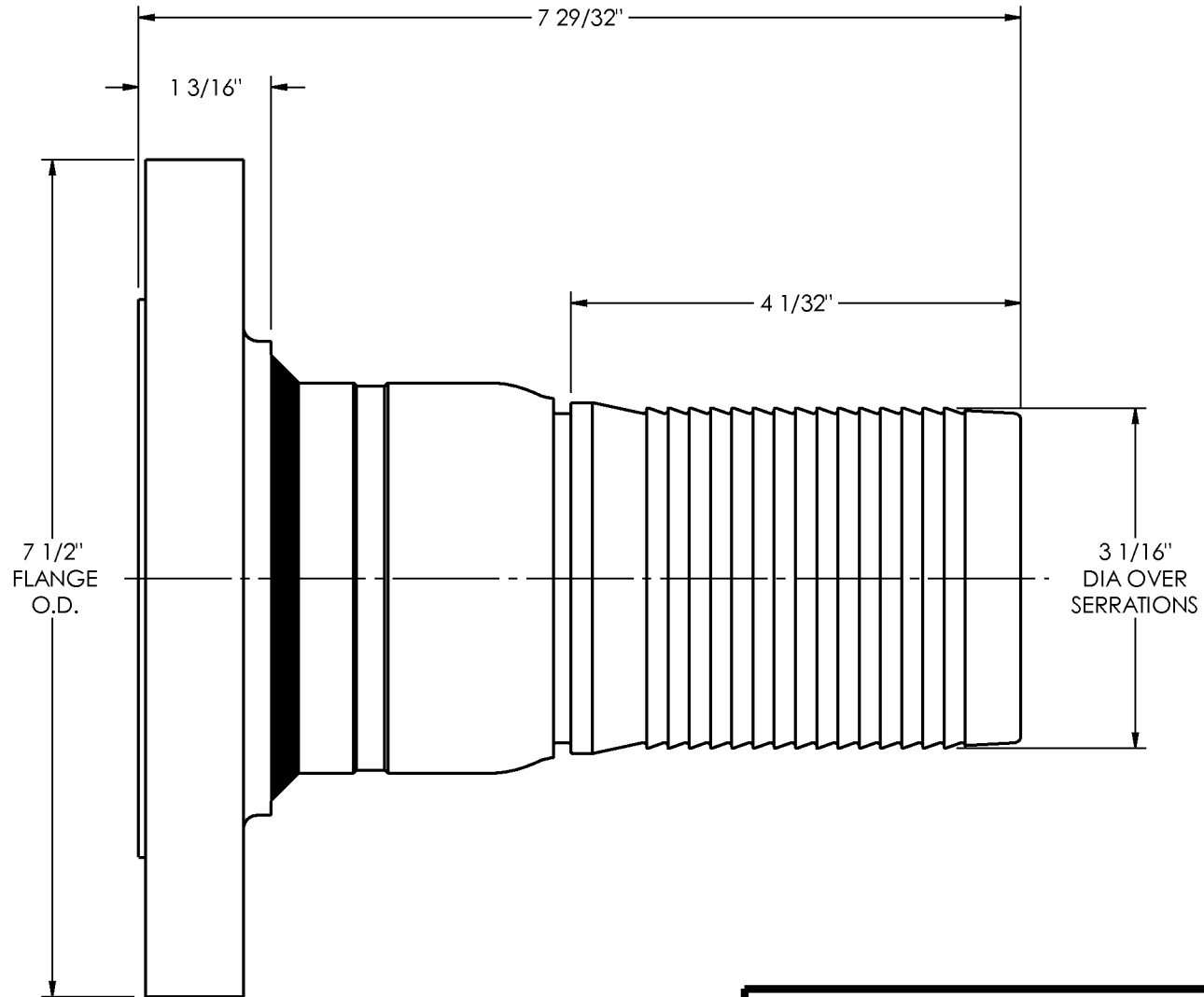
APPROVAL:
SE
10-18-11

MAT'L:
STAINLESS STEEL

RFST25CS

RFST35CS

CUSTOMER DWG



CUSTOMER DWG



AGREEMENT TO MAINTAIN CONFIDENTIALITY

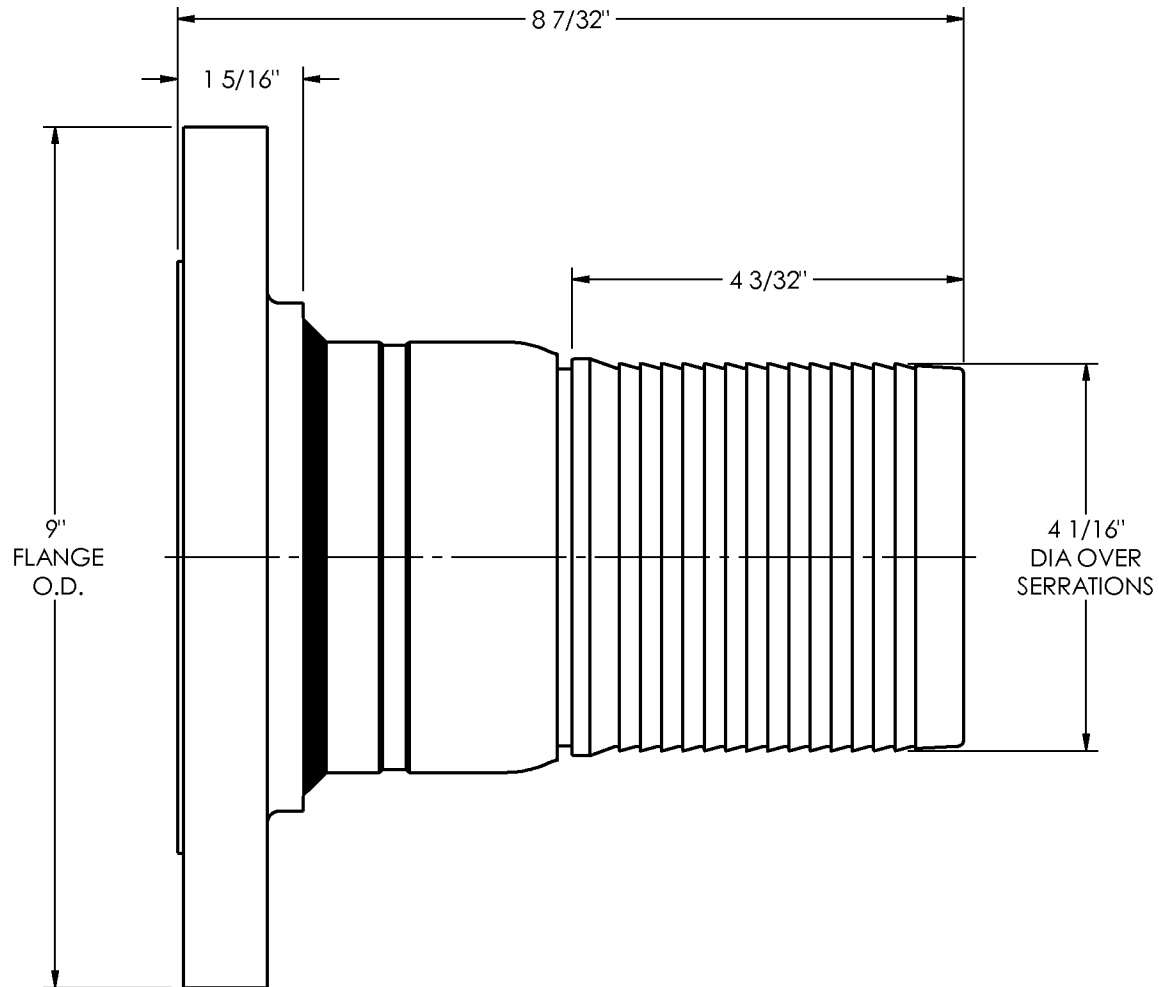
This drawing is owned by Dixon Valve & Coupling Co. and shall be returned upon demand. It is loaned on condition that it shall not be copied or reproduced or submitted to others without the owners consent. In accepting it subject to this condition the recipient further agrees that this drawing or any design detail or concept disclosed herein shall not be used in any way detrimental to or in competition with the owner. If the recipient does not agree to the terms of this agreement they shall return this drawing immediately. The information contained in this drawing is subject to change without notice.

REV:

DIXON VALVE & COUPLING CO. U. S. A.		
TITLE 3" FLANGED CRIMP STYLE KING COMBINATION NIPPLE		
DRWN BY: TDJ 10/14/11	CHECKED BY: <i>5/6</i> 10-17-11	APPROVAL: <i>5/6</i> 10-18-11
MAT'L: STAINLESS STEEL		RFST35CS

RFST40CS

CUSTOMER DWG



CUSTOMER DWG



AGREEMENT TO MAINTAIN CONFIDENTIALITY

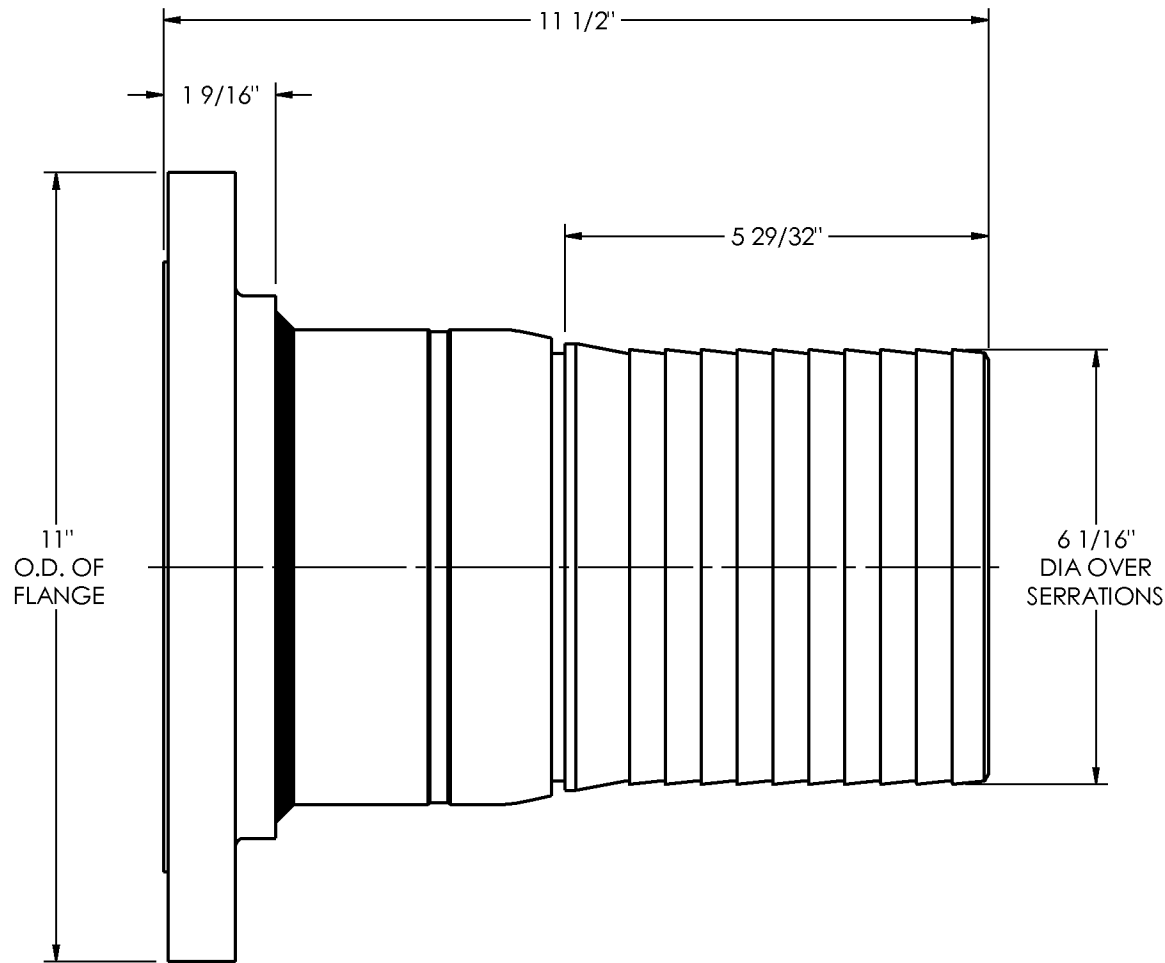
This drawing is owned by Dixon Valve & Coupling Co. and shall be returned upon demand. It is loaned on condition that it shall not be copied or reproduced or submitted to others without the owners consent. In accepting it subject to this condition the recipient further agrees that this drawing or any design detail or concept disclosed herein shall not be used in any way detrimental to or in competition with the owner. If the recipient does not agree to the terms of this agreement they shall return this drawing immediately. The information contained in this drawing is subject to change without notice.

REV:

DIXON VALVE & COUPLING CO. U. S. A.		
TITLE 4" FLANGED CRIMP STYLE KING COMBINATION NIPPLE		
DRWN BY: TDJ 10/17/11	CHECKED BY: SF 10-18-11	APPROVAL: SF 10-18-11
MAT'L: STAINLESS STEEL		RFST40CS

RFST60CS

CUSTOMER DWG



CUSTOMER DWG



AGREEMENT TO MAINTAIN CONFIDENTIALITY

This drawing is owned by Dixon Valve & Coupling Co. and shall be returned upon demand. It is loaned on condition that it shall not be copied or reproduced or submitted to others without the owners consent. In accepting it subject to this condition the recipient further agrees that this drawing or any design detail or concept disclosed herein shall not be used in any way detrimental to or in competition with the owner. If the recipient does not agree to the terms of this agreement they shall return this drawing immediately. The information contained in this drawing is subject to change without notice.

REV:

DIXON VALVE & COUPLING CO. U. S. A.		
TITLE 6" FLANGED CRIMP STYLE KING COMBINATION NIPPLE		
DRWN BY: TDJ 10/17/11	CHECKED BY: <i>TDJ</i> 10-18-11	APPROVAL: <i>TDJ</i> 10-18-11
MAT'L: STAINLESS STEEL		RFST60CS